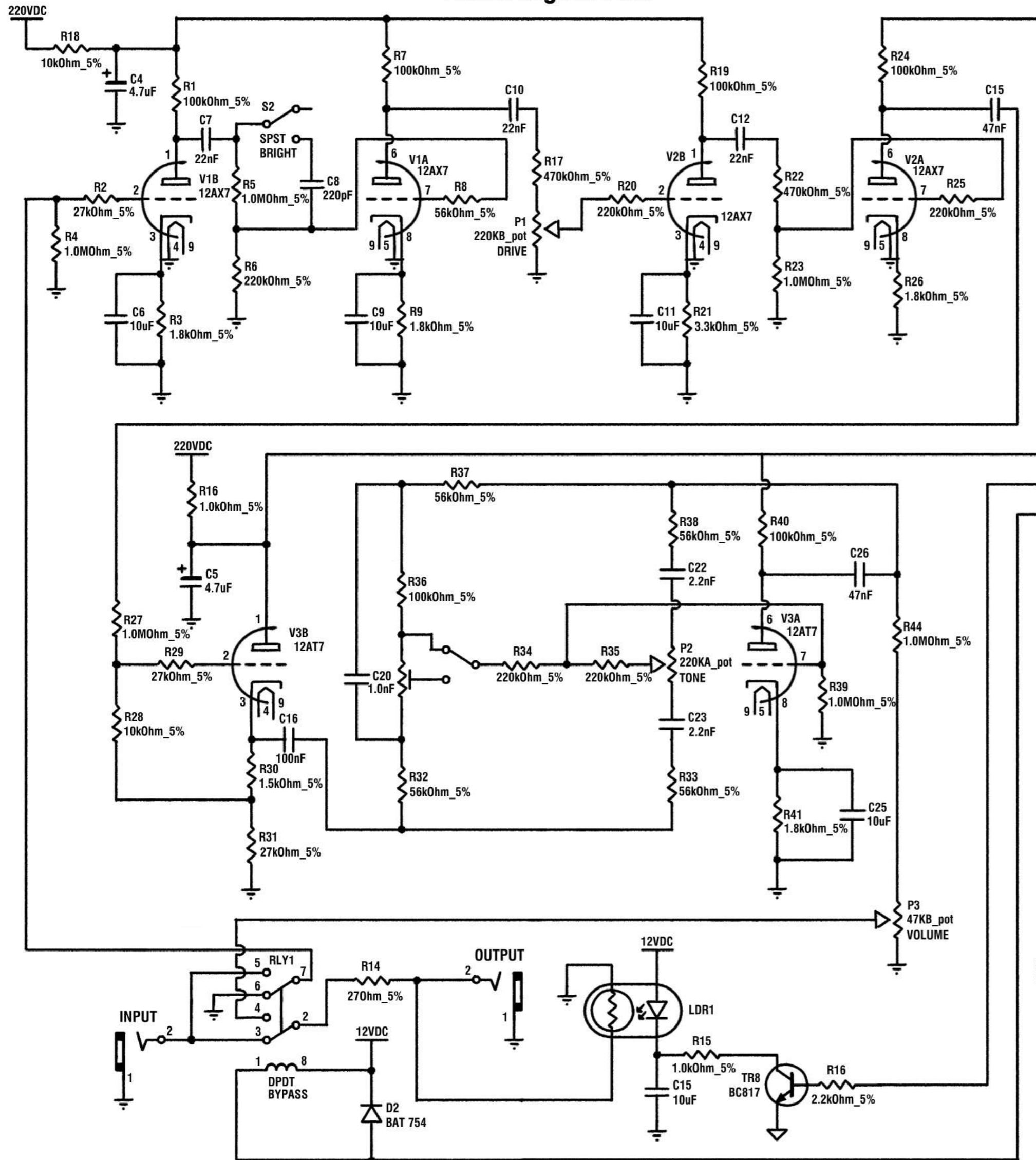
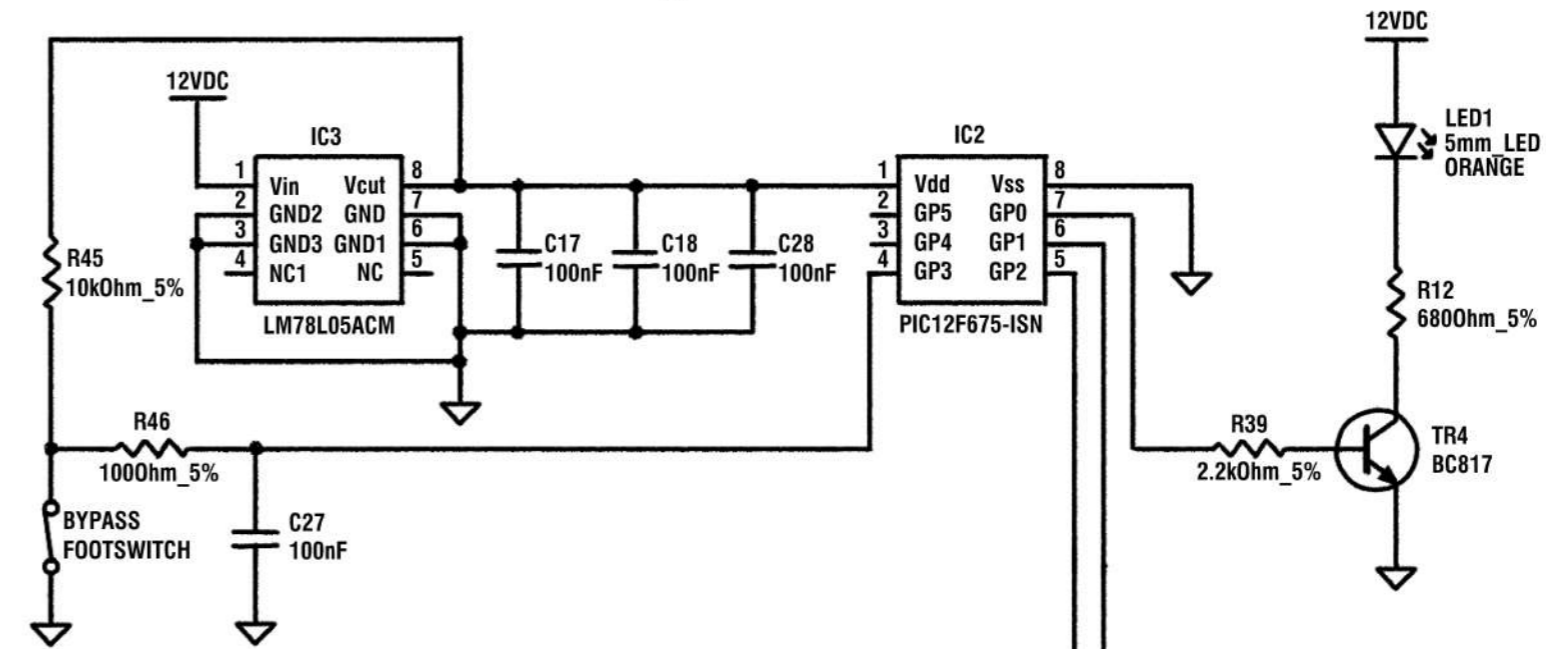


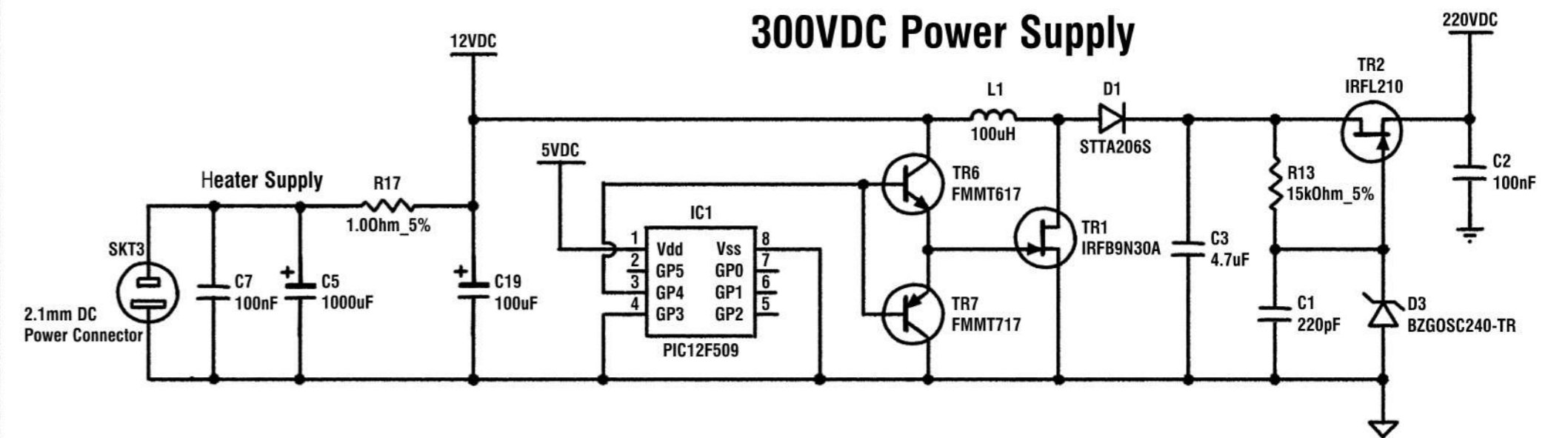
### Audio Signal Path



### Digital Control



### 300VDC Power Supply



EFFECTRODE THERMIONIC		
TUBE DRIVE		
SYMMETRICAL TUBE CLIPPING DISTORTION		
MODEL: TD-2A	REVISION: 1.2.0	
APPROVED: PHIL TAYLOR	SUBMITTED: LINK NIMS-TAYLOR	
DR. BY: LNT	DATE: 17-1-17	DR.
CK. BY: PT		