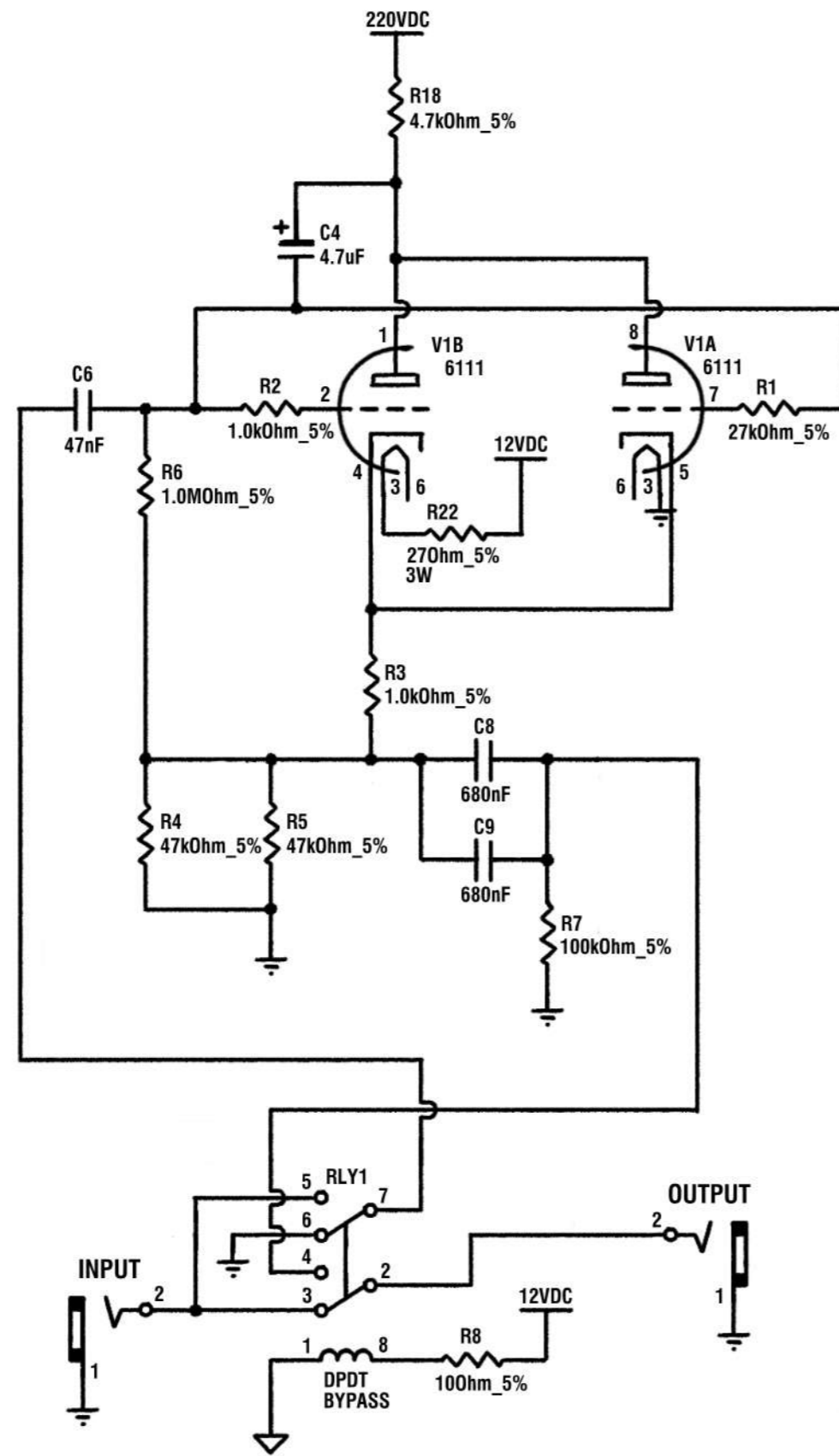
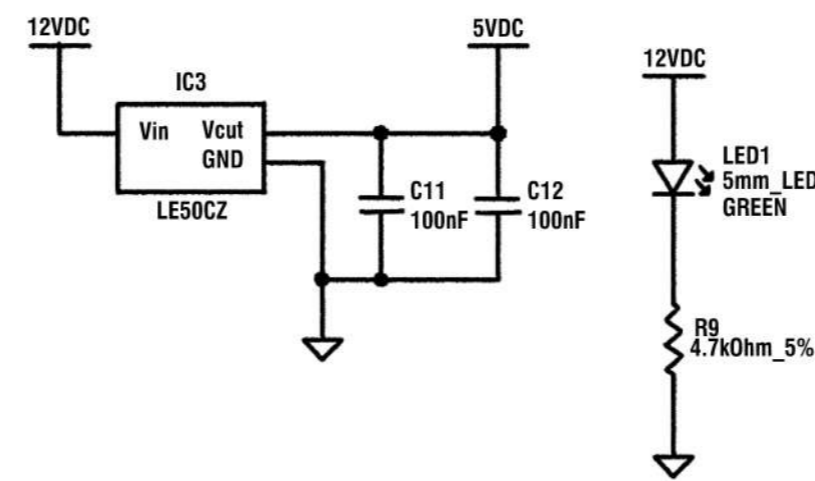


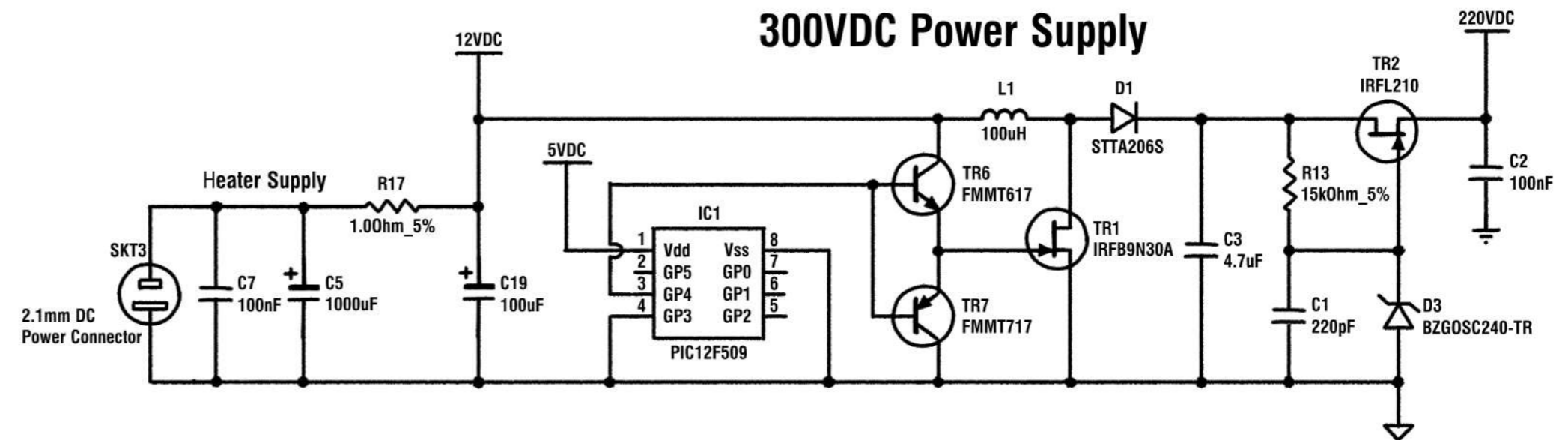
Audio Signal Path



Digital Control



300VDC Power Supply



EFFECTRODE THERMIONIC		
GLASS-A TRIODE BUFFER		
MODEL: <i>GL-1A</i>	REVISION: <i>1.0.0</i>	
APPROVED: <i>PHIL TAYLOR</i>	SUBMITTED: <i>LINK NIMS-TAYLOR</i>	
DR. BY: <i>LNT</i>	DATE: <i>8-1-15</i>	DR.
CK. BY: <i>PT</i>		